



# Quick To Deploy Low Profile Relay Radio



## TW-875 TSM GHOST RADIO



### LOW PROFILE, SMALL FORM FACTOR

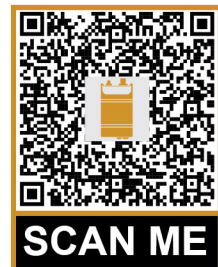
The TW-875 TSM Ghost radio is highly portable, and features a built-in battery that provides significant flexibility in deploying and enhancing TSM networks. The TSM network extends beyond dismounted users, where TSM Ghost radios provide access to a wide range of platforms and can be deployed as network relays.

### KEY FEATURES

- Ideal for network relay when a full-featured radio is not required
- Provides USB On The Go (OTG) data interface for Internet Protocol (IP) data, configuration, and network monitoring
- Shares common antennas and cabling with the TW-900/950 handheld radio to maximize flexibility and save life cycle cost

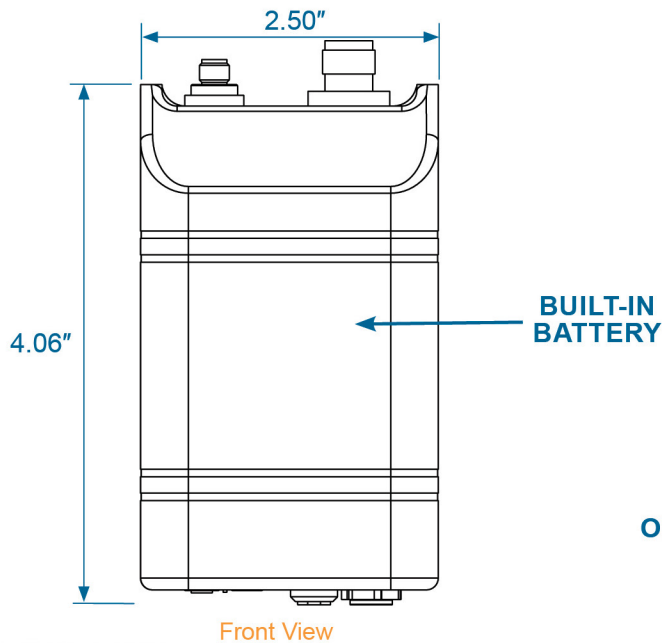
### PROVEN SCALABILITY AND PERFORMANCE

TrellisWare's patented Barrage Relay networking eliminates the need for routing protocols and allows for massive network scalability with low overhead. The TrellisWare TSM waveform is a highly scalable and robust Mobile Ad Hoc Networking (MANET) waveform designed from the ground up to support over 800 nodes with simultaneous voice, data, video, and Position Location Information (PLI) operating in a single radio frequency channel. The TrellisWare Katana waveform combines resilient narrowband fast frequency hopping with tactical MANET, operating in highly contested radio frequency (RF) communication environments.

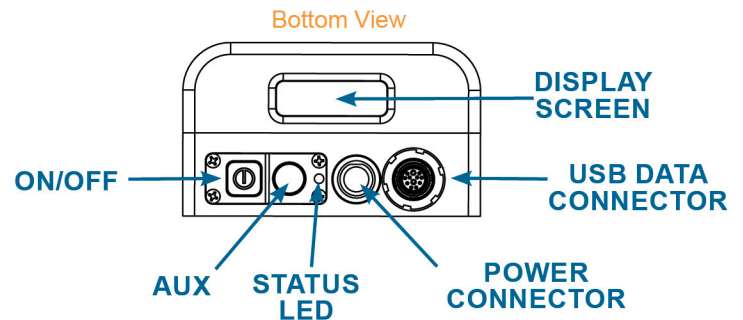
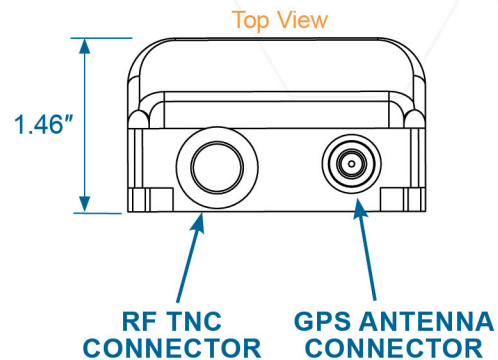




# TW-875



## COMPONENTS



## SPECIFICATIONS

Physical	
Overall Size	4.06 L x 2.50 W x 1.46 H in (103.12 x 63.50 x 37.08 mm)
Weight	16 oz (450 g)
Frequency Range	<ul style="list-style-type: none"> <li>L-UHF: 225–450 MHz</li> <li>U-UHF: 698–970 MHz</li> <li>L/S Bands: 1250–2600 MHz</li> </ul>
Configurable Bandwidth	1.2, 3.6, 10, 20 MHz
Spectrum Pipelining Bandwidth	User-Selectable Spacing with 20 or 40 MHz Occupied Bandwidth
Transmit Power	100 mW, 250 mW, 500 mW, 1 W, 2 W
Input Power	5–20 VDC
Connectors	<ul style="list-style-type: none"> <li>USB On-the-Go</li> <li>RF TNC</li> <li>GPS SMA</li> </ul>
Data Rate	Up to 32 Mbps Pt. to Pt.
Security	<ul style="list-style-type: none"> <li>Built-in AES-256 COMSEC</li> <li>TRANSEC</li> </ul>
Environmental	MIL-STD-810G
Operating Temperature Range	-20°C to +55°C (-4°F to +131°F)
Water Resistant	IP68
Net Entry Time	< 1 Second
Waveform	TSM, Katana (Optional)

Networking	
Network Coverage	<ul style="list-style-type: none"> <li>Mobile Ad Hoc Networking</li> <li>Multi-hop – Up to 8 Hops</li> <li>800 Nodes in a Single Network</li> <li>Robust in Harsh RF Environments</li> </ul>
Communication Services	<ul style="list-style-type: none"> <li>Relay node for all TSM services (Voice, Data, PLI)</li> <li>Built-in or External GPS</li> <li>IP Support – IPv4, IPv6; Unicast, Multicast, Broadcast; TCP, UDP</li> </ul>
Security	<ul style="list-style-type: none"> <li>AES-256</li> </ul>
Application Support	<ul style="list-style-type: none"> <li>Built-in Web Applications</li> <li>Over the Air Remote Control</li> <li>APIs for 3<sup>rd</sup> Party Integration</li> <li>PLI with CoT, KML, and JSON</li> <li>Integration with Android™ applications</li> </ul>

Specifications subject to change without notice.

## When Nothing Else Works

TRELLISWARE.COM

To place an order, please contact your account manager.  
For more information, email [sales@trellisware.com](mailto:sales@trellisware.com)

Please access the most recent digital version of this datasheet on the TrellisWare Customer Support Site (site registration required)

Note: For Military and Public Safety Use. Please contact TrellisWare Customer Support at [support@trellisware.com](mailto:support@trellisware.com) for FCC/IC radio options, or EU and UK declarations.

