



Quick To Deploy Low Profile Relay Radio

TW-875 TSM GHOST RADIO-FCC/IC

LOW PROFILE, SMALL FORM FACTOR

The TW-875 TSM Ghost radio is highly portable, and features a built-in battery that provides significant flexibility in deploying and enhancing TSM networks. The TSM network extends beyond dismantled users, where TSM Ghost radios provide access to a wide range of platforms and can be deployed as network relays.

PROVEN SCALABILITY AND PERFORMANCE

TrellisWare's patented Barrage Relay networking eliminates the need for routing protocols and allows for massive network scalability with low overhead. TrellisWare's TSM waveform facilitates secure mission critical voice and data delivery in the most severe conditions. The result is an exceptionally robust, flat network that supports hundreds of nodes, using less spectrum than any other Mobile Ad Hoc Networking (MANET) technology.

KEY FEATURES

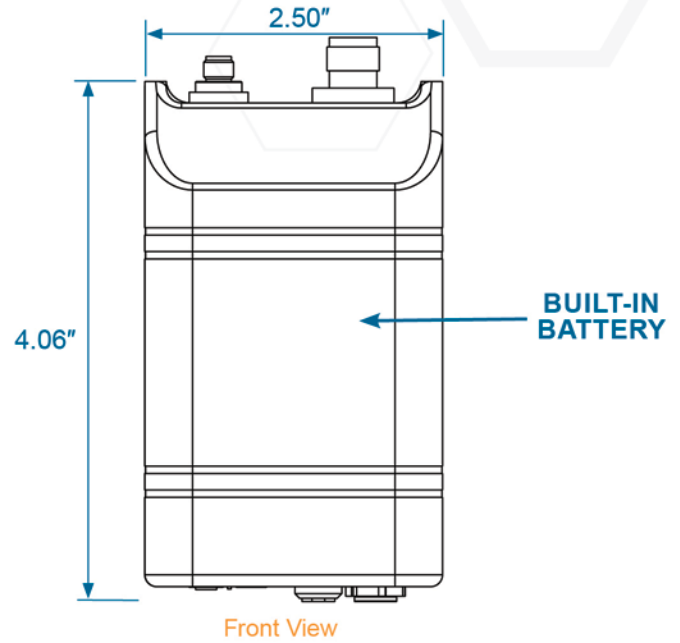
- Ideal for network relay when a full-featured radio is not required
- Provides USB On The Go (OTG) data interface for Internet Protocol (IP) data, configuration, and network monitoring
- Shares common antennas and cabling with the TW-900/950 handheld radio to maximize flexibility and save life cycle cost



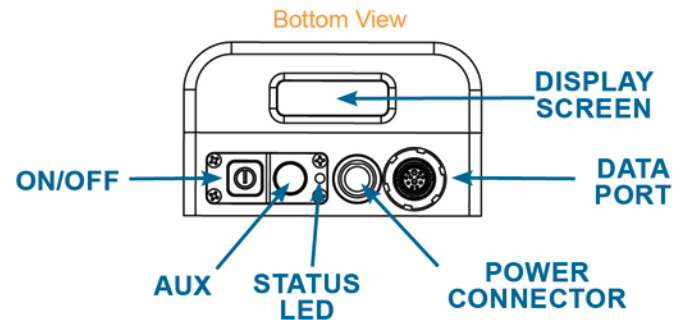
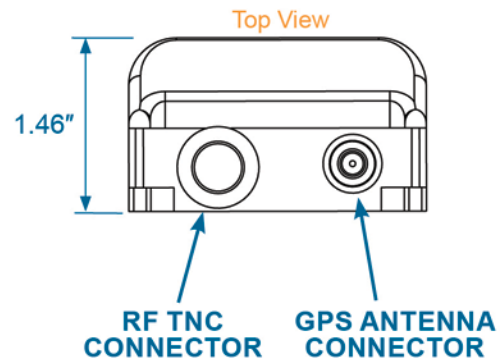


SPECIFICATIONS

Physical	
Overall Size	4.06 L x 2.50 W x 1.46 H in (103.12 x 63.50 x 37.08 mm)
Weight	16 oz (0.45 kg)
FCC/IC Frequency Range	2400–2483.5 MHz
Configurable Bandwidth	1.2, 3.6, 10, 20 MHz
FCC/IC Transmit Power	100 mW, 250 mW, 500 mW, 1W
Input Power	5 V to 20 V
Connectors	<ul style="list-style-type: none"> • USB On-the-Go • RF TNC • GPS SMA
Data Rate	Pt. to Pt., up to 32 Mbps (1-hop)
Security	<ul style="list-style-type: none"> • Built-in AES-256 COMSEC • TRANSEC
Environmental	MIL-STD-810G
Water Resistant	IP68
Operating Temperature Range	-20°C to +55°C (-4°F to +131°F)
Waveform	TSM 6



COMPONENTS



Networking	
Network Coverage	<ul style="list-style-type: none"> • Mobile Ad Hoc Networking • Multi-hop – Up to 8 Hops • 800 Nodes in a Single RF Channel • Robust in Harsh RF Environments
Communication Services	<ul style="list-style-type: none"> • Relay node for all TSM services (Voice, Data, PLI) • Built-in GPS • IP Support – IPv4, IPv6; Unicast, Multicast, Broadcast; TCP, UDP
Security	<ul style="list-style-type: none"> • AES-256
Application Support	<ul style="list-style-type: none"> • Built-in Web Applications • Over the Air Remote Control • APIs for 3rd Party Integration • PLI with CoT, KML, and JSON • Integration with Android™ applications

Specifications subject to change without notice.

Note: For FCC/IC radio options, please contact TrellisWare Customer Support at support@trellisware.com.

When Nothing Else Works

TRELLISWARE.COM

To place an order, please contact your account manager.

For more information, email sales@trellisware.com

Please access the most recent digital version of this datasheet on the TrellisWare Customer Support Site (site registration required).