



Deploy Your
MANET Quickly
and Easily



TW-870 TSM GHOST RADIO

The TW-870 TSM Ghost radio is the smallest form factor TSM-enabled TrellisWare radio without having to integrate at the board level. It provides the simplest integration path for platforms and assets that do not require the full feature set of a dismounted user radio. Deploying and integrating the TW-870 is achieved by connecting RF and GPS antennas, data, and power. This saves significant upfront engineering time and cost for platform providers, and allows end users the ability to integrate the TSM waveform without specialized technical expertise.

PROVEN SCALABILITY AND PERFORMANCE

TrellisWare's patented Barrage Relay networking eliminates the need for routing protocols and allows for massive network scalability with low overhead. TrellisWare's TSM waveform facilitates secure mission critical voice and data delivery in the most severe conditions. The result is an exceptionally robust, flat network that supports hundreds of nodes, using less spectrum than any other Mobile Ad Hoc Networking (MANET) technology.

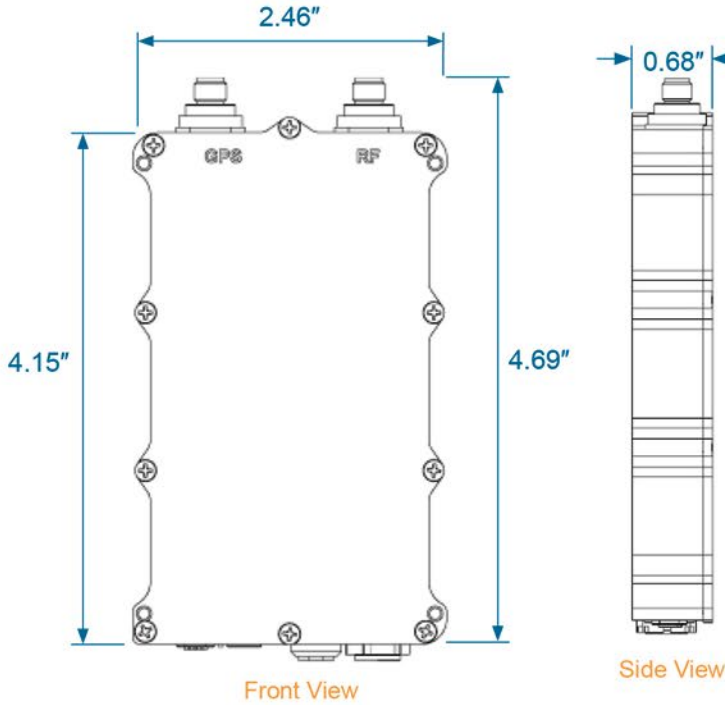
KEY FEATURES

- Fully integrated, self-contained radio module for integration into third-party systems with minimal engineering effort
- The TW-870 accepts outside power, has GPS and RF antenna connectors, and a data interface
- The radio covers the UHF, L-band, and S-band frequencies, and is ideal for fast-deployed Mobile Ad Hoc Networking (MANET) scenarios
- Designed for quick integration into unmanned systems and other platforms where space and weight are factors
- Cost effective option when mission set only requires relay for data transfer and/or network extension
- Accepts outside power, has GPS and RF antenna connectors, and a data interface
- Covers UHF, L-band, and S-band frequencies

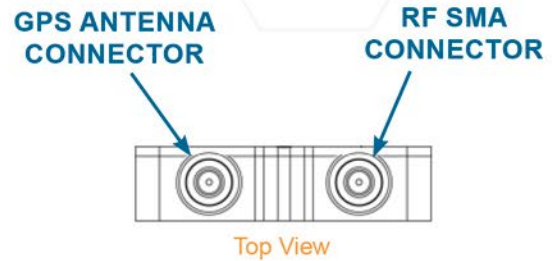




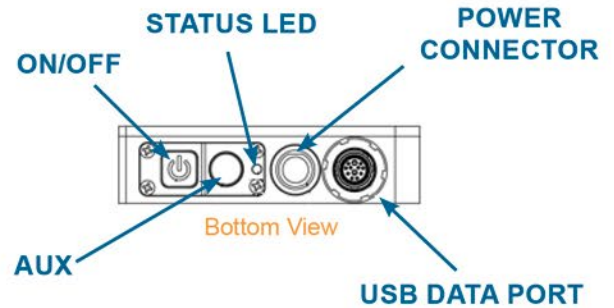
TW-870



COMPONENTS ANTENNA INTERFACE SIDE



HMI INTERFACE SIDE



SPECIFICATIONS

Physical	
Overall Size	4.69 L x 2.46 W x 0.68 H in (119.12 x 62.48 x 17.27 mm)
Weight	8.8 oz (249 g)
Frequency Range	<ul style="list-style-type: none"> • LUHF: 225–450 MHz • U-UHF: 698–970 MHz • L/S Bands: 1250–2600 MHz
Configurable Bandwidth	1.2, 3.6, 10, 20, 40 MHz
Transmit Power	100mW, 250mW, 500mW, 1W, 2W
Input Power	8-20VDC

Physical	
Operating Temperature Range	-20°C to +55°C (-4°F to +131°F)
Connectors	<ul style="list-style-type: none"> • USB On-the-Go • RF SMA • GPS SMA • 4-Pin ODU Power
Data Rate	Pt. to Pt., up to 32 Mbps (1-hop)
Environmental	MIL-STD-810G
Water Resistant	IP68
Waveform	TSM 6

Specifications subject to change without notice.

When Nothing Else Works
T R E L L I S W A R E . C O M

To place an order, please contact your account manager.
For more information, email sales@trellisware.com

This TrellisWare product is under the jurisdiction of the Department of Commerce and is subject to Export Administration Regulations (EAR)
Please access the most recent digital version of this datasheet on the TrellisWare Customer Support Site (site registration required)