



Quick To Deploy Low Profile Relay Radio



TW GHOST 875 RADIO

LOW PROFILE, SMALL FORM FACTOR

The TW Ghost 875 radio is highly portable, and features a built-in battery that provides significant flexibility in deploying and enhancing TSM networks. The TSM network extends beyond dismantled users, where TW Ghost radios provide access to a wide range of platforms and can be deployed as network relays.

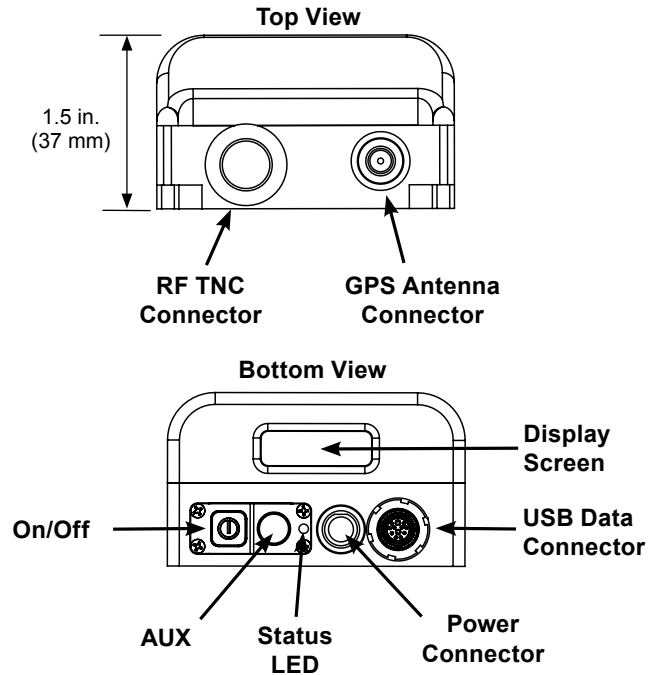
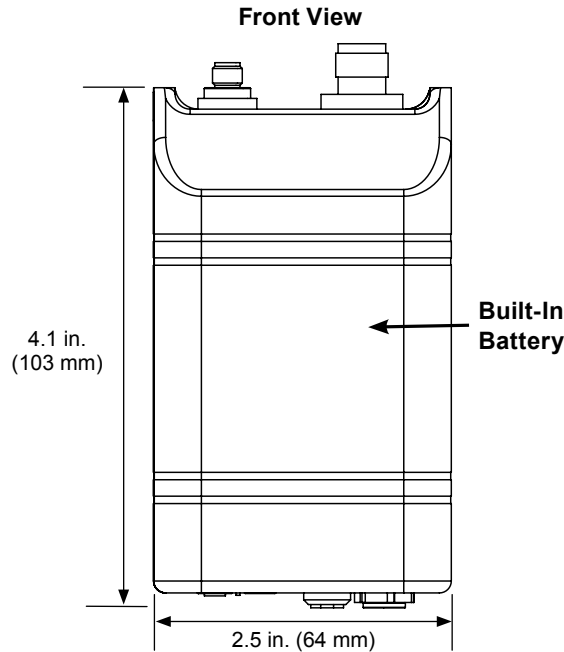
KEY FEATURES

- Ideal for network relay when a full-featured radio is not required
- Provides USB On The Go (OTG) data interface for Internet Protocol (IP) data, configuration, and network monitoring
- Shares common antennas and cabling with the TW-900/950 handheld radio to maximize flexibility and save life cycle cost

TRELLISWARE WAVEFORMS

TrellisWare's Barrage Relay technology delivers proven network scalability and performance, ensuring quality of service without compromising operational demands as they evolve, empowering users to stay connected *When Nothing Else Works*. TrellisWare's TSM waveforms are globally recognized as the industry standard for resilient communications, delivering scalable and adaptable services for voice, video, data, and Position Location Information (PLI). The optional Katana waveforms add fast frequency hopping with tactical MANET for operations in highly contested radio frequency (RF) conditions. TrellisWare's multi-waveform capabilities set the standard for resilient communications solutions with a large ecosystem of interoperable platforms.





Specifications	
Overall Size	4.1 L x 2.5 W x 1.5 H in (103 x 64 x 37 mm)
Weight	1.0 lbs (450 g)
Frequency Range	
Standard	<ul style="list-style-type: none"> L-UHF: 225–450 MHz U-UHF: 698–970 MHz L/S Bands: 1250–2600 MHz
FCC/IC	<ul style="list-style-type: none"> 902-928 MHz (Use with TW-1149 antenna) 2400–2483.5 MHz
Configurable Bandwidth	1.2, 3.6, 10, 20 MHz
Spectrum Pipelining Bandwidth	User-Selectable Spacing with 20 or 40 MHz Occupied Bandwidth
Transmit Power	
Standard	100 mW, 250 mW, 500 mW, 1 W, 2 W
FCC/IC	100 mW, 250 mW, 500 mW, 1 W
Input Power	5–20 VDC
Connectors	<ul style="list-style-type: none"> USB On-the-Go RF TNC GPS SMA
Data Rate	Up to 32 Mbps Pt. to Pt.
Security	Built-in AES-256 COMSEC TRANSEC
Environmental	MIL-STD-810G, IP68
Operating Temperature Range	-20°C to +55°C (-4°F to +131°F)
Net Entry Time	< 1 Second
Waveform	<ul style="list-style-type: none"> TSM – Barrage Beamforming (optional)

Networking	
Network Coverage	<ul style="list-style-type: none"> Barrage Relay Multi-hop – 205 miles (330 km) per hop Hosts multiple waveforms Robust in Harsh RF Environments Throughputs of 50+ Mbps supported
Communication Services	<ul style="list-style-type: none"> Relay node for all TSM services (Voice, Data, PLI) Built-in or External GPS IP Support – IPv4, IPv6; Unicast, Multicast, Broadcast; TCP, UDP
Security	AES-256
Application Support	<ul style="list-style-type: none"> Built-in Web Applications Over-the-Air Remote Control APIs for 3rd Party Integration PLI with CoT, KML, and JSON Integration with Android™ applications

Specifications subject to change without notice.

Note: For Military and Public Safety Use. Please contact TrellisWare Customer Support at support@trellisware.com for FCC/IC radio options, or EU and UK declarations.



When Nothing Else Works
T R E L L I S W A R E . C O M

To place an order, please contact your account manager.
For more information, email sales@trellisware.com

Please access the most recent digital version of this datasheet on the TrellisWare Customer Support Site (site registration required).
support.trellisware.com

The appearance of U.S. Department of Defense (DoD) visual information does not imply or constitute DoD endorsement or Public Safety/First Responders.